

Molded Case Circuit Breakers

NF250-CV NF250-SV NF250-HV

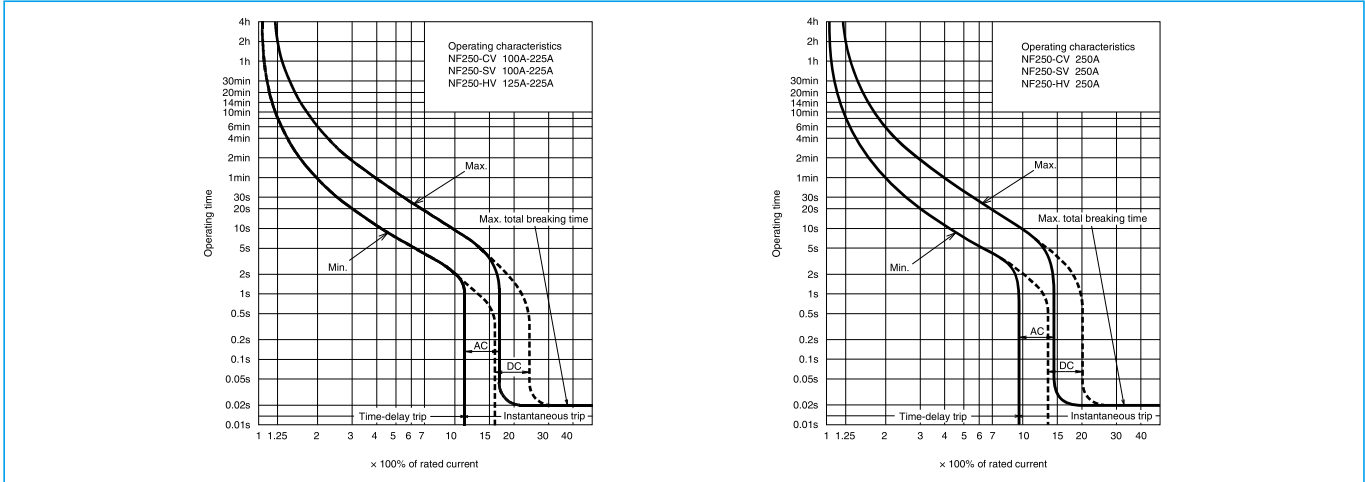


NF250-SV

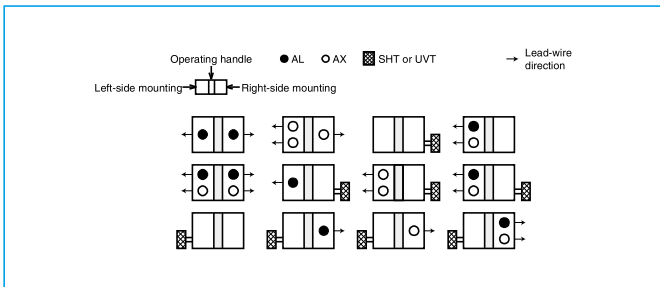
Model		NF250-CV				NF250-SV			NF250-HV			NF250-SV[MB]					
Rated current In (A)		(100)				(100)			125 150 160 175			125 150					
Reference ambient temperature 40°C		125 150 175 200 225 250				125 150 160 175 200 225 250			200 225 250			175 200 225					
Number of poles		2		3		2	3	4	2	3	4	3					
Rated insulation voltage Ui (V)		600				690			690			500					
Rated short-circuit breaking capacity (kA)	IEC 60947-2 EN 60947-2 (Icu/Ics)	AC	690V	-				8/8			10/8			-			
				500V				10/8			30/30			50/38		-	
				440V				15/12			36/36			65/65		36/36	
				415V				25/19			36/36			70/70		36/36	
				400V				25/19			36/36			75/75		36/36	
				380V				25/19			36/36			75/75		36/36	
				230V				36/27			85/85			100/100			85/85
		200V				36/27			85/85			100/100			-		
		DC (*1)	250V		15/12			20/20 (300V)			40/40 (300V)			-			
Standard attached parts (front connection)		Terminal screw: M8 (Bolt(Hex-socket))x16 (2P: 4pcs, 3P: 6pcs, 4P: 8pcs) Mounting screw: M4x0.7x55 (2 and 3P: 2pcs, 4P: 4pcs) Insulation barrier: (2P: 2pcs, 3P: 4pcs, 4P: 6pcs)															

Note *1 Use two poles for 3- and 4-pole products. In this case, do not use the neutral pole of the 4-pole products. If wired as shown at the bottom of page 18, 3-pole NF250-CV can be used for up to 400VDC, 3-pole NF250-SV and NF250-HV up to 500VDC and 4-pole products up to 600VDC.

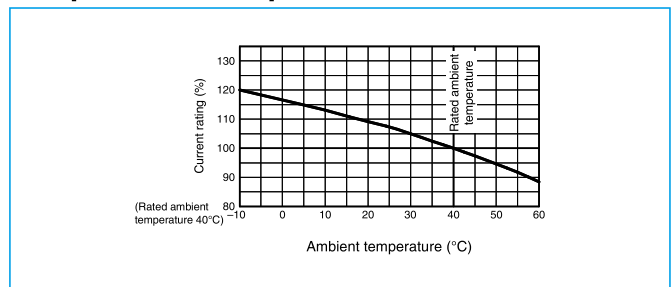
Operating Characteristics



Internal Accessories



Temperature Compensation Curve



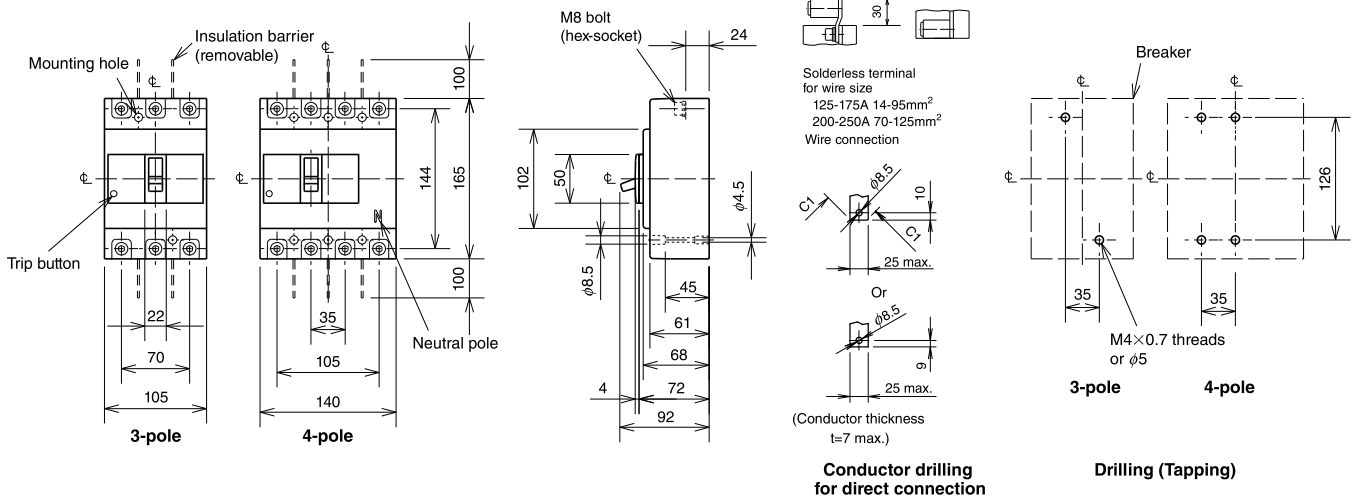
External Accessories

Accessories		Type name	Reference page	Accessories		Type name	Reference page
Operating handle	F	F-2SV	123	Mechanical interlock	MI	2, 3P MI-05SV3	136
	V	V-2SV	125				
Lock cover	LC	LC-05SV	134	Terminal cover	Small	2, 3P TCS-2SV3	128
Handle lock device	HL(*1)	HLF-05SV				4P TCS-2SV4	
		HLN-05SV			2, 3P TCL-2SV3		
		HLS-2SV				4P TCL-2SV3L	
			Large		TC-L	2, 3P TCL-2SV4	
						Skeleton	
			Rear		BTC	2, 3P BTC-2SV3	
							4P BTC-2SV4
			Plug-in	PTC	2, 3P PTC-2SV3		
							4P PTC-2SV4
Electrical operation device						(*2)	140

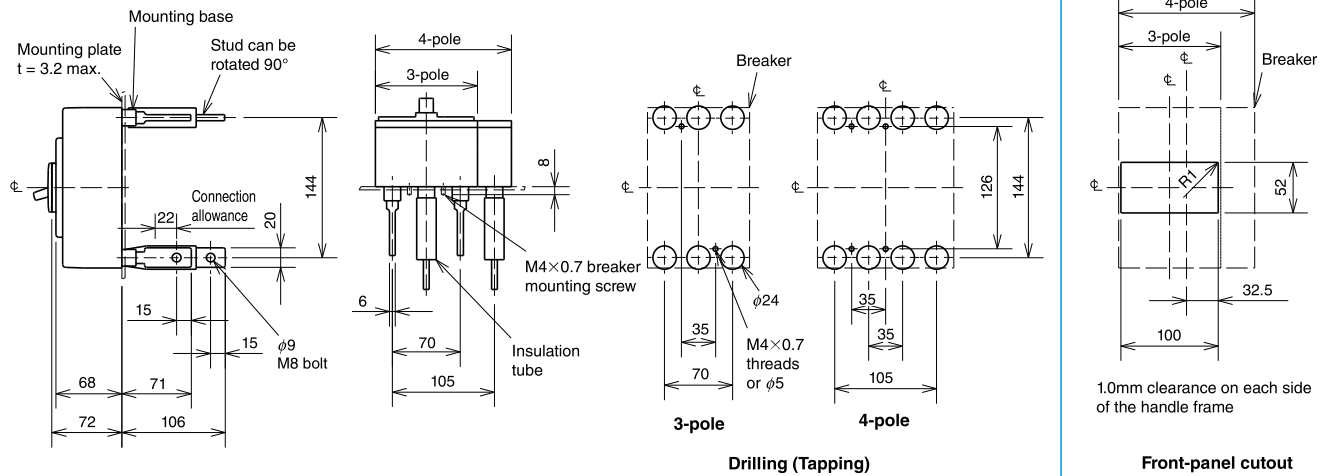
Notes *1 HLF types are used for OFF lock and HLN types for ON lock.
*2 Specify the working voltage. Refer to the reference page for type name.

Outline Drawing

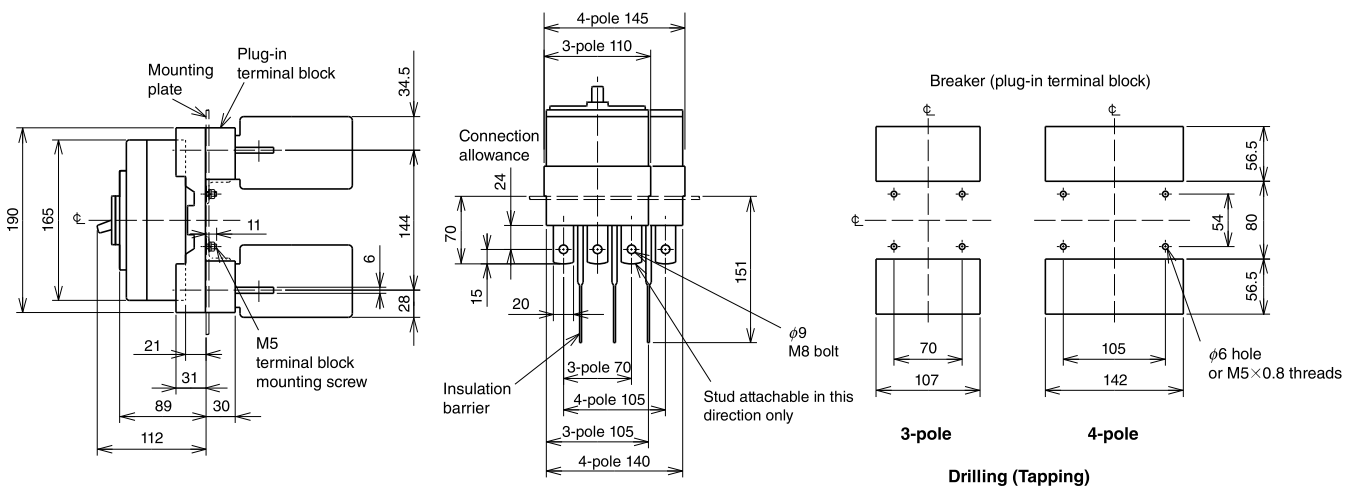
Front connection



Rear connection



Plug-in



- Remarks:
- 2-pole models are 3-pole models with the central pole removed.
 - Only 2-pole and 3-pole models are available for NF250-CV.
 - We only have motor breakers for 3-pole models.