

Molded Case Circuit Breakers

NF1250-SDW

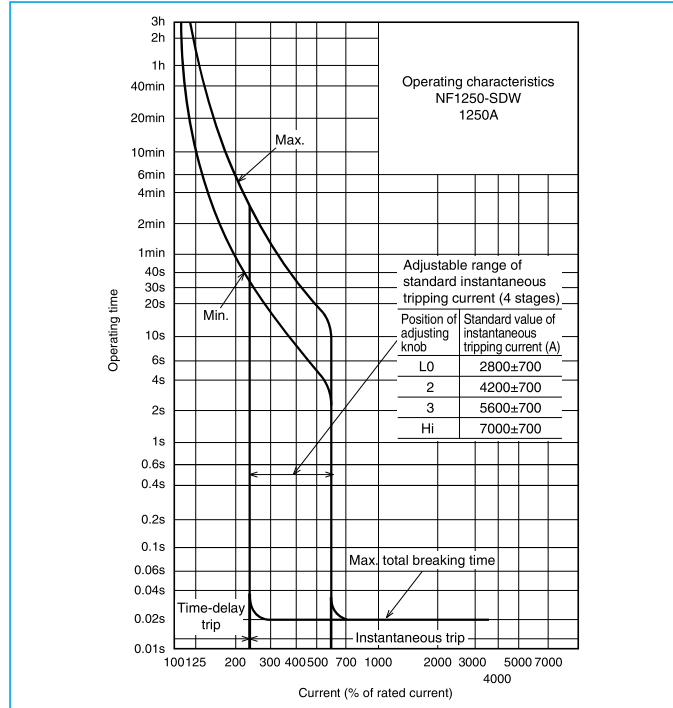
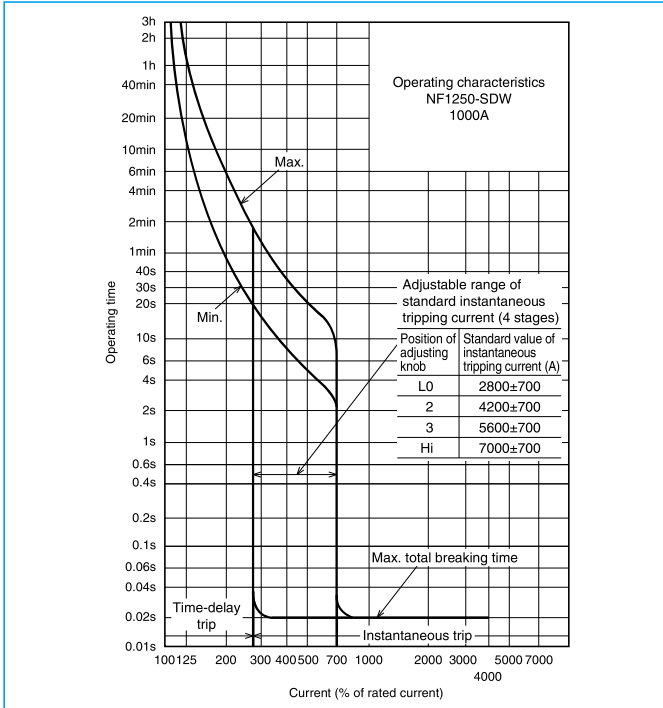


NF1250-SDW

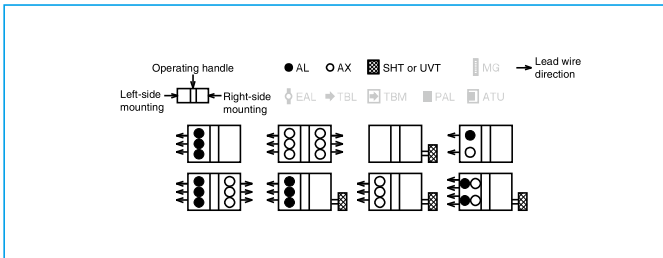
Model		NF1250-SDW		
Rated current I _n (Amp.) Reference ambient temperature 40°C		1000 1200 1250		
Number of poles		2		
Rated insulation voltage U _i (V)		690		
Rated short-circuit breaking capacity (kA)	IEC 60947-2 (Icu/Ics) Time constant not large than 10ms	AC	690V	-
			500V	-
			440V	-
			415V	-
			400V	-
			380V	-
			230V	-
			200V	-
		DC	250V (*1)	40/20
Standard Attached parts		Front connection	Terminal screw: M12 bolt×50 (2-pole: 8pcs, 3-pole: 12pcs) Mounting screw: M8×40 (4pcs) Insulating barrier: (2P: 1pc, 3P: 2pcs, 4P: 3pcs) Auxiliary handle: (1pc)	
		Rear connection	Terminal screw: M12 bolt×45 (2-pole: 8pcs, 3-pole: 12pcs) Mounting screw: M8×40 (4pcs) Insulating barrier: (3P: 2pcs, 4P: 4pcs) Auxiliary handle: (1pc)	

Note *1 The standard specifications for NF1250-SDW are 2-pole.
For DC special voltage use, we also have 3-pole model.

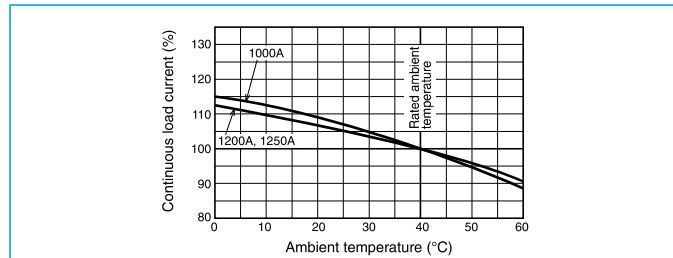
Operating Characteristics



Internal Accessories



Temperature Compensation Curve



External Accessories

(An order for ☆ should be placed at the same time as an order of circuit breaker main body.)

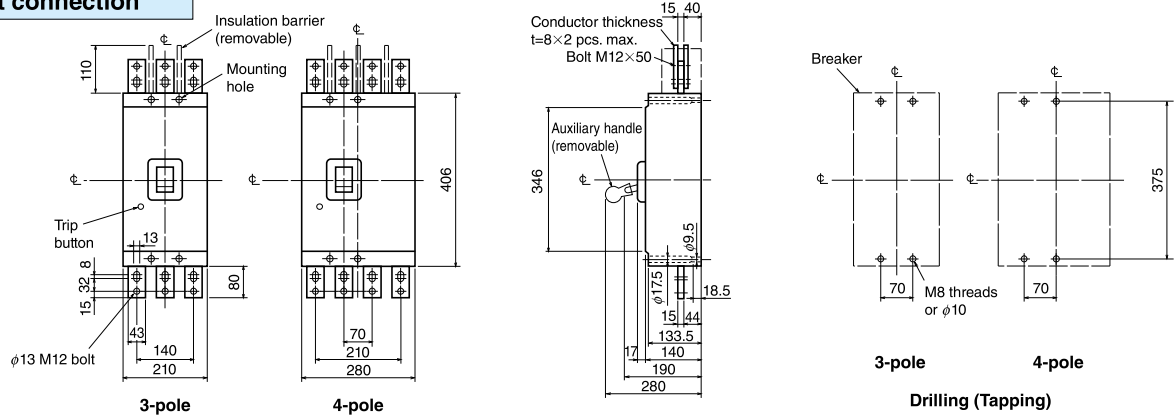
Accessories			Type name	Reference page	Accessories		Type name	Reference page	
Operating handle	F	2, 3P	F10SW	123	Auxiliary handle	HT	HT-10SW	135	
		4P	F10SW4P		Handle lock device	HL	HL (☆)	134	
Mechanical interlock	MI	2, 3P	MI-10SW3	136	Large terminal cover	TC-L	2, 3P	TCL-10SW3	128
		4P	MI-10SW4				4P	TCL-10SW4	
					Electrical operation device	NFM	2, 3P	(*)	140
							4P		

Note *1 Specify the operation method and voltage. Order in combination with the breaker unit.

Outline Drawing

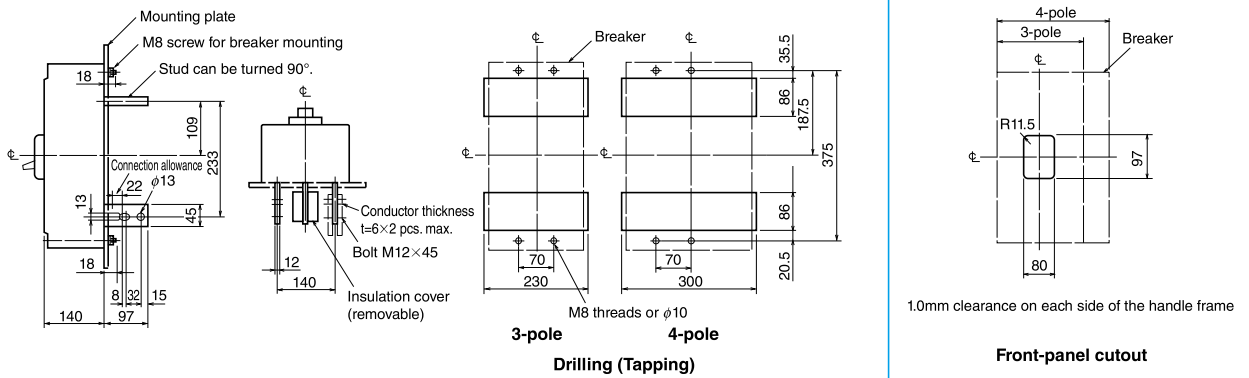
Front connection

Same dimensions as NF1000-SEW and NF1250-SEW.



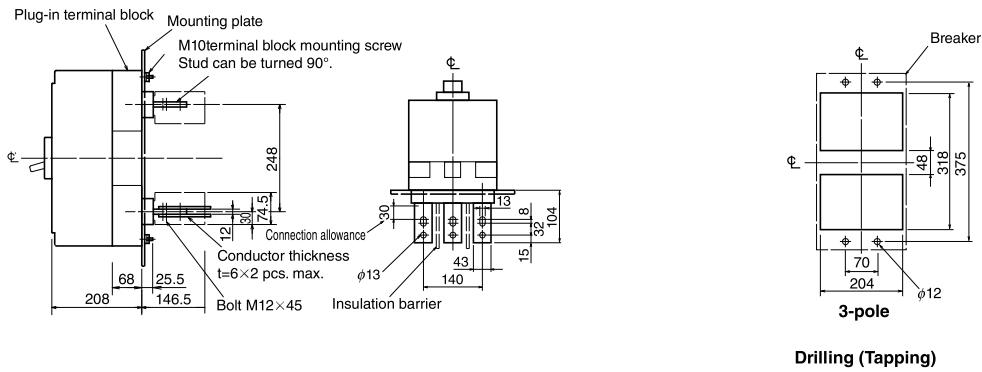
Rear connection

Differing in external dimensions from NF1000-SEW and NF1250-SEW.



Plug-in

Differing in external dimensions from NF1000-SEW and NF1250-SEW.



Remarks: 1. Standard specification of NF1250-SDW is 2-pole model. 3-pole and 4-pole models are available for DC special voltage.
2. 2-pole models are 3-pole models with the central pole removed.